

Part No. 99-0035

HL 1 M

Hand riveting tool for installation of rivet nuts from M8 to M12

Ideal for repairs or installing of small series of rivet nuts



Scope of use:

Rivet nuts	M3	M4	M5	M6	M8	M10	M12
Aluminium, Brass					✓	✓	✓
Steel					✓	✓	✓
Stainless					✓	✓	✓

Mandrels & anvils included

					✓	✓	✓
--	--	--	--	--	---	---	---

Technical parameters:

Model	HL 1 M
Weight	0.8 kg
Length	49 mm
Height	248 mm

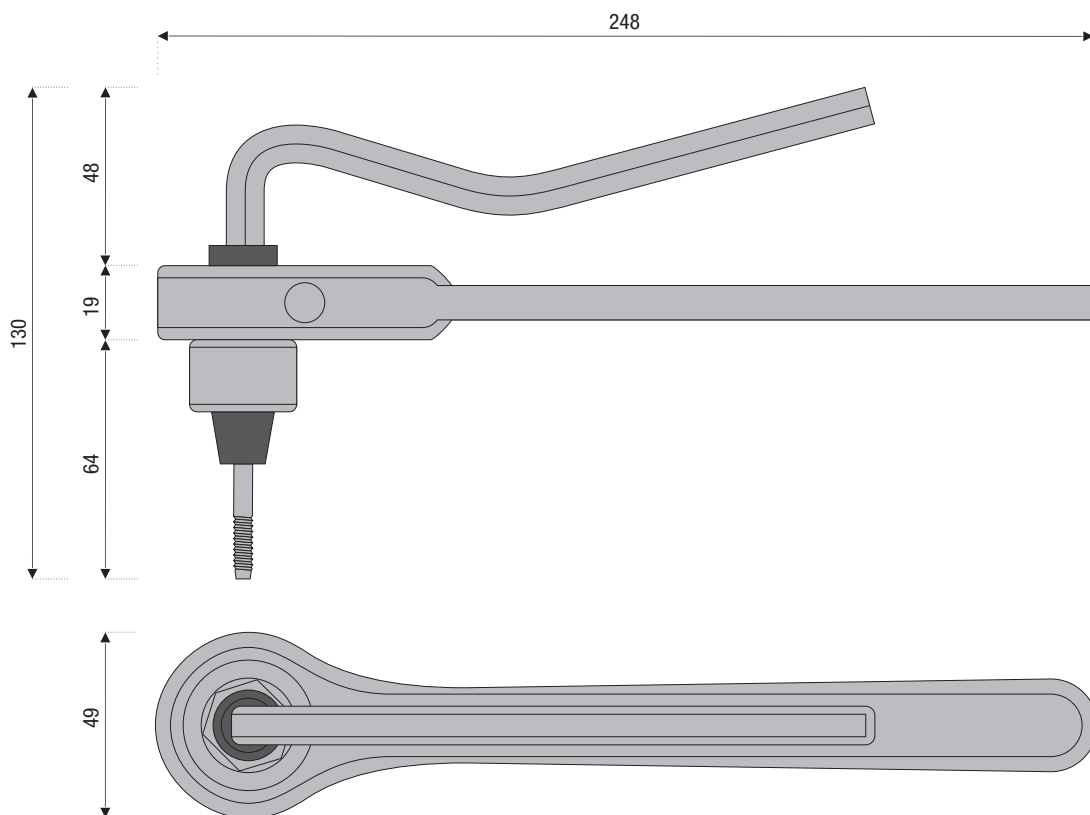
Description:

- used to install small series of standard rivet nuts and rivet studs
- robust construction and low weight
- set of reversible-ratchet, ring spanner and Allen key
- comfortable operation
- low-maintenance



Dimensions of tool:

HL1M



Standard accessories:

Description	Part No.
Mandrel M8	87-0278
Mandrel M10	87-0279
Mandrel M12	87-0280
Head M8	87-0201
Head M10	87-0202
Head M12	87-0203
Hex Socket Screw Key 12	87-0274
Ratchet Key M8–M12	87-0197

Optional accessories:

Description	Part No.
Hand Tool for Setting Rivet Nuts from M8	99-0031
Hand Tool for Setting Rivet Nuts from M10	99-0032
Hand Tool for Setting Rivet Nuts from M12	99-0033