

Part No. 99-0013

HL5

Double-lever hand tool for installation of blind rivets from 2.4 to 5 mm



Scope of use:

Ø of the rivet	2.4	3 / 3.2	4	4.8 / 5	6	6.4
Aluminium, Copper, Brass	✓	✓	✓	✓		
Steel	✓	✓	✓	✓		
Stainless	✓	✓	✓	✓		

Nosepieces included:

✓	✓	✓	✓		
---	---	---	---	--	--

Technical parameters:

Model	HL 5
Working stroke	11.5 mm
Weight	1.9 kg
Length	390 mm
Height	130 mm

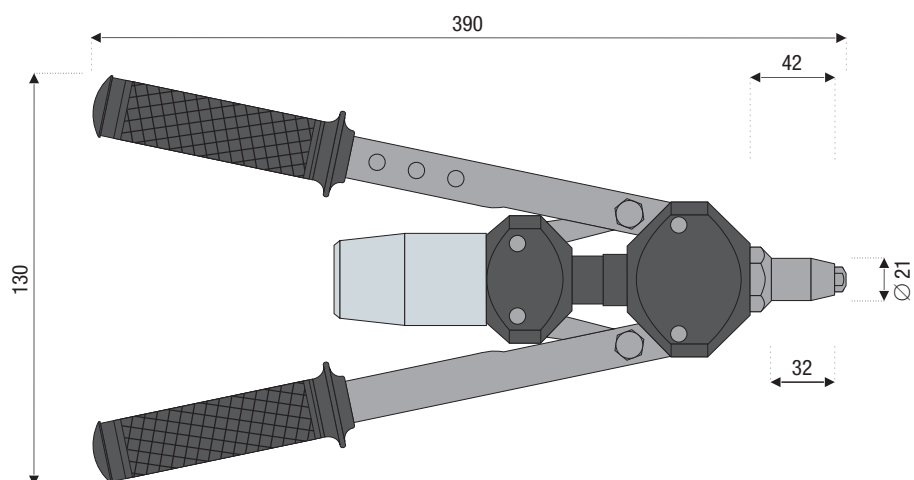
Description:

- used to install small and medium series of standard rivets
- compact dimensions
- simple operation
- large range of additional equipment
- low weight



Dimensions of tool:

HL5



Standard accessories:

Description	Part No.
Nosepiece 2.4	87-0016
Nosepiece 3/3.2	87-0017
Nosepiece 4	87-0018
Nosepiece 4.8/5	87-0019
Jaws Set	87-0055
Mandrel Collector	87-0286